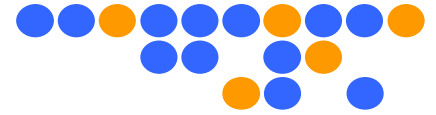


GigaLane Adapter Data Sheet



Part No. : 2FS-ADP-KMS-01

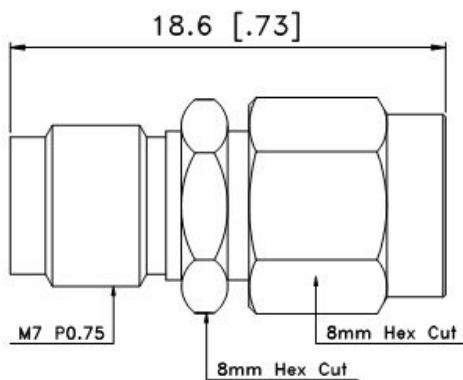
(2.4mm Female to 2.92mm Male Adapter)



Technical Data

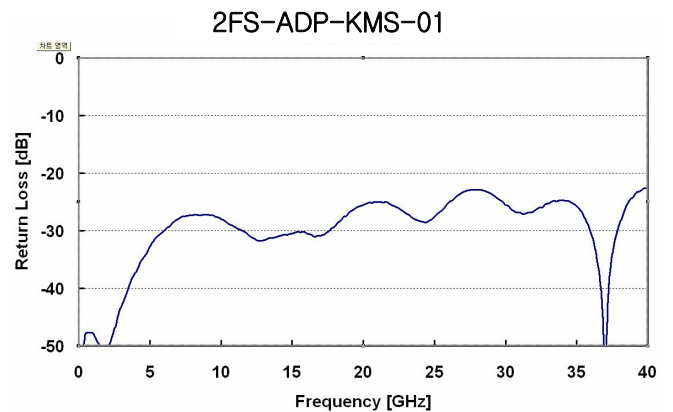
ITEM	Specifications		Descriptions
VSWR	DC~4GHz	1.05 MAX	
	4~40GHz	1.20 MAX	
Insertion Loss	IL [dB] = Max. 0.06 X \sqrt{F}		
Materials	Body	Stainless Steel 303	Passivated
	Center Pin	BeCu(2.4) Brass(2.92)	Gold Plated
	Insulator	Rigid Plastic	
Temperature	-55°C ~ 135°C		

Outline Drawing

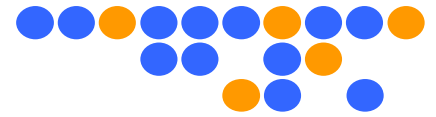


Unit : mm [inch]

Performance



GigaLane Adapter Data Sheet



Pin Control

Per IEEE standard 287

